

HALI-BRITE®

HBM 400PS L-802A Airport Rotating Beacon

Compliance with Standards:

FAA: L-802A A/C150/5345-12 (Current Edition)
ICAO: Annex 14, para 5.3.3

Applications

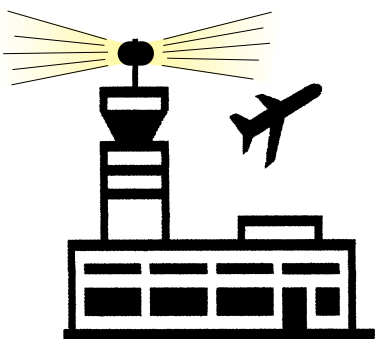
L-802A Rotating Beacons are designed primarily for night operation as identification and location markers for airports.

Features

- Patented belt-drive system eliminates the lubrication maintenance required by conventional gear-drive beacons (U.S. Pat. 5,339,224)
- Patented liquid-filled lamp connector, eliminating the slip rings and brushes found on conventional beacons (U.S. Pat. 5,816,678)
- Two 40,000 lumen, 400 watt pulse-start metal-halide lamps
- Pulse-start lamps are fully bright in 3-5 minutes
- 15,000 hour typical lamp life (2-3 years)
- One clear lens, one aviation green lens
- NO maintenance except lamp replacement
- All moving parts are permanently lubricated
- Thermally-protected motor eliminates burnouts
- Lamps preset 5° above horizontal, adjustable
- 12 RPM rotation, 24 flashes/minute
- Weatherproof steel cabinet, powder coated international orange
- Class I temperature range: -30 to +55 °C (-22 to +131 °F)
- Class II temperature range: -55 to +55 °C (-67 to +131 °F)
- Tested to wind velocities of 100 mph
- Optional photocell and/or tell-tale relay
- Mountable on a Hali-Brite Tipdown Pole
- Power Consumption: 965W Class I, 1365W Class II
- Manufactured in the USA



Beacon Tipdown Pole



HALI-BRITE® INC.

P.O. BOX 10 • 925 1st ST SW
CROSBY, MN 56441

PHONE 1-800-553-6269 OR 218-546-7473 • FAX 218-546-6854
www.halibrite.com

Ordering Information

Part Number	Description
L802A6116	120 VAC, 60 Hz, Class I
L802A6125	220-240 VAC, 50 Hz, Class I
L802A6126	220-240 VAC, 60 Hz, Class I
L802A6216	120 VAC, 60 Hz, Class II
L802A6225	220-240 VAC, 50 Hz, Class II
L802A6226	220-240 VAC, 60 Hz, Class II

NOTE: 220-240 VAC must be single wire with neutral

Options

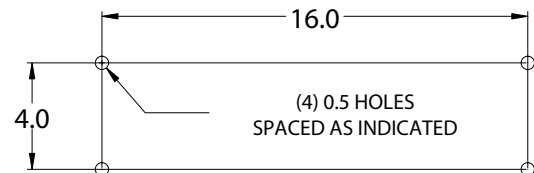
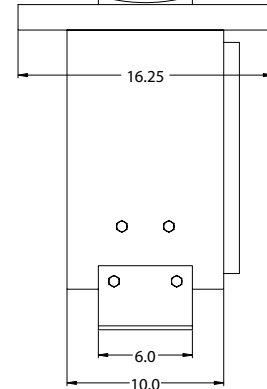
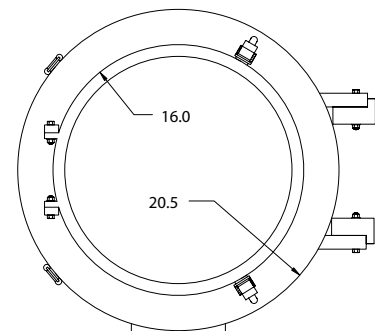
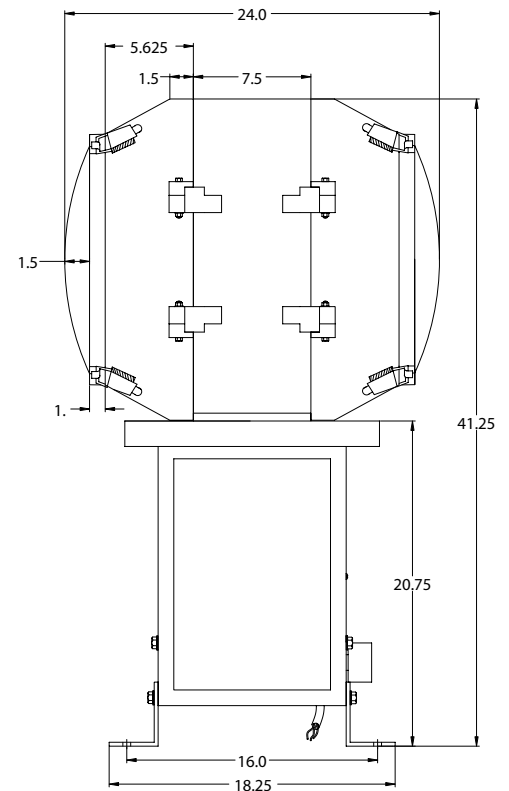
Part Number	Description
L801/802 T/T HBM 120	Tell-tale Relay, 120 VAC
L801/802 T/T HBM 240	Tell-tale Relay, 220-240 VAC
4200-0000	Tower Mounting Kit
4200-0002	REA Pole Mounting Kit

Replacement Parts

Part Number	Description
0200-0013	Ballast, 60 Hz
0200-0016	Ballast, 50 Hz
0600-0003	Belt
2300-0003	Lamp Fuse, 10 amp
2300-0002	Motor Fuse, 1/2 amp
3400-0400/H75/PS	Lamp, 400 watt
2800-0035	Lens, Clear
2800-0044	Lens, Green
0100-3825	Lens Clip

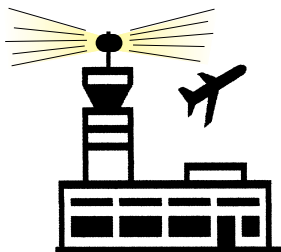
Shipping Information

Unpackaged Weight: 150 pounds
 USA Shipping Weight: 250 pounds
 USA Shipping Volume: 48"x42"x32"
 International Shipping Weight: 200 pounds
 International Shipping Volume: 48"x40"x32"



MOUNTING BOLT PATTERN

The information contained in this document is subject to change without notice.



HALI-BRITE® INC.

P.O. BOX 10 • 925 1st ST SW
 CROSBY, MN 56441
 PHONE 1-800-553-6269 OR 218-546-7473 • FAX 218-546-6854
 www.halibrite.com