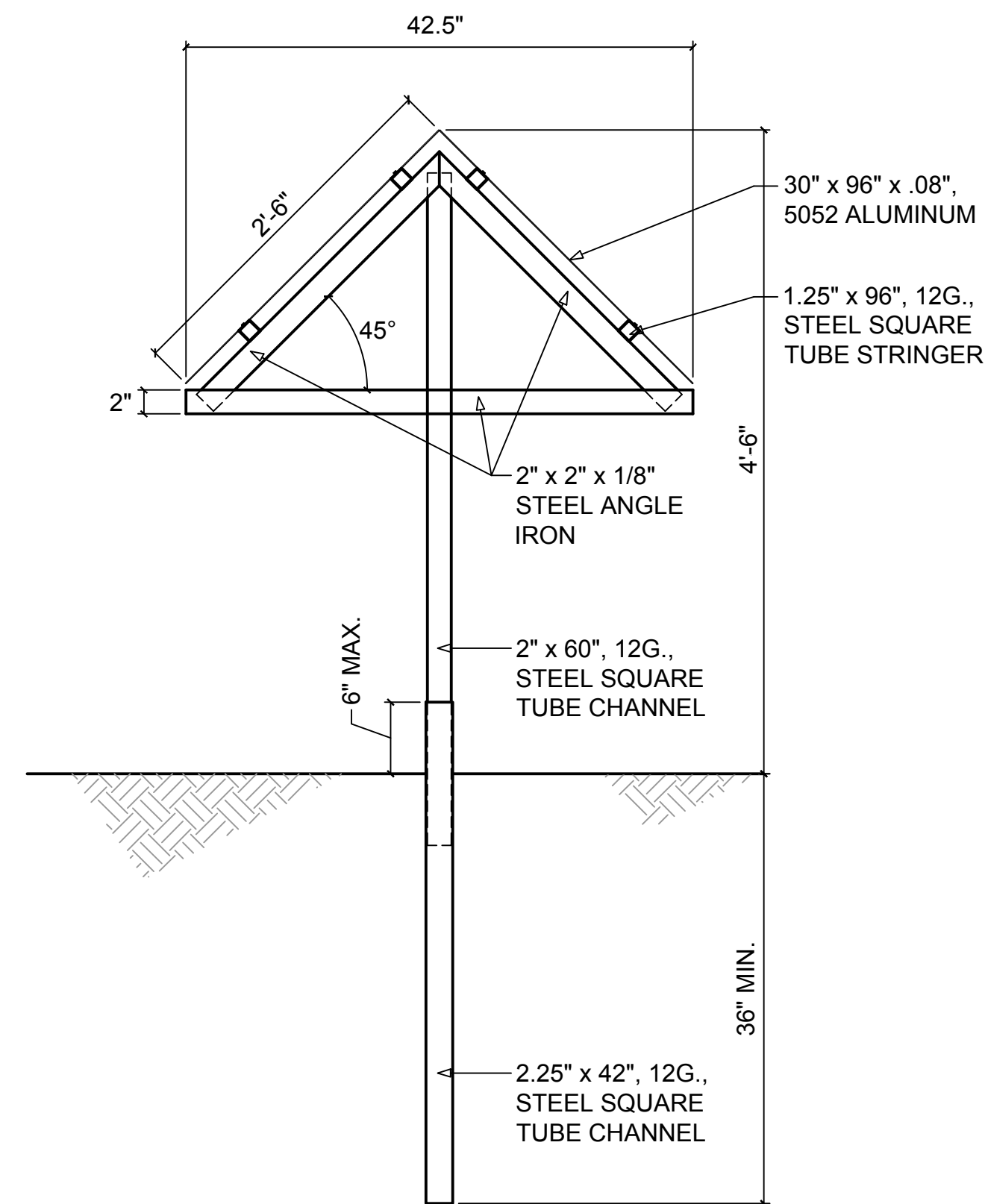


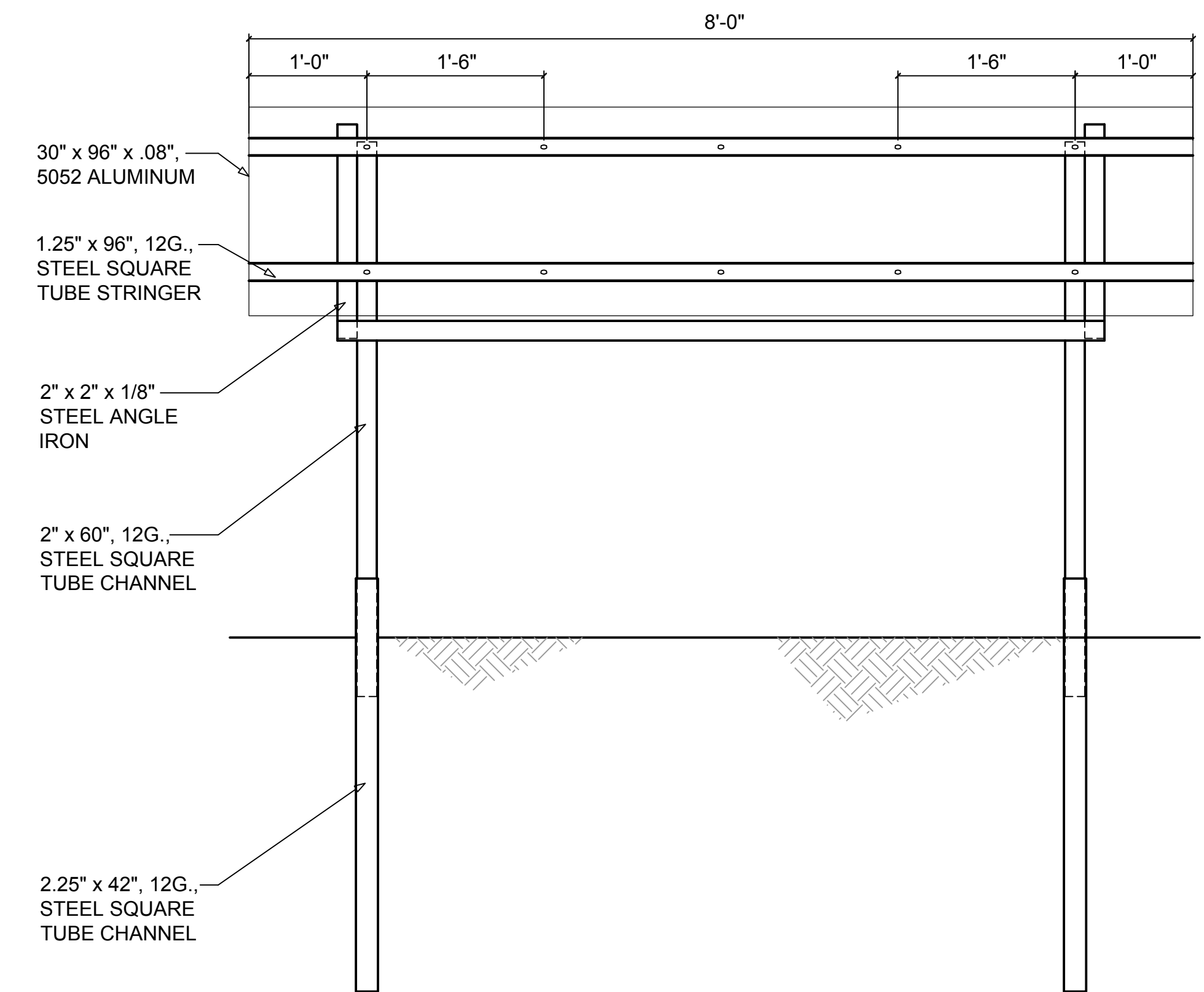
DIMENSION TOLERANCE

X.XXX	+/-	0.005
X.XX	+/-	0.015
X.X	+/-	0.050
ANGLE	+/-	2°

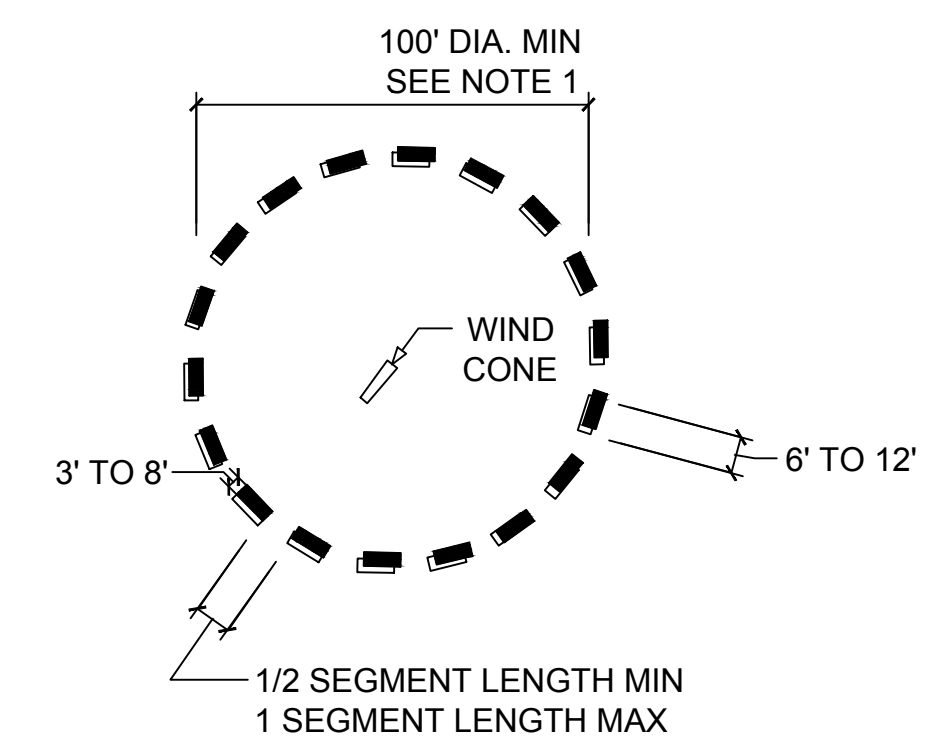
ZONE		REV	DESCRIPTION	DATE	APPROVED
N/A		0	Original Release	10/12/20	N/A




1 HB-5340 SEGMENTED CIRCLE SIDE VIEW
1" = 1'-0"



2 HB-5340 SEGMENTED CIRCLE FRONT VIEW
1" = 1'-0"



3 SEGMENTED CIRCLE MARKER AND WIND DIRECTION INDICATOR
1" = 1'-0"

 <p>Hali-Brite®</p> <p>1119 Madison St. Brainerd, Mn 56401</p>	<p>FILE NAME: SEGMENTED CIRCLE AIRPORT MARKER SYSTEM</p>			
	<p>NAME: HB-5340 Segmented Circle</p>			
<p>Drawn By: Roger Wagner</p>	<p>SIZE A</p>	<p>FSCM NO.</p>	<p>PART NO. 0100-3876</p>	<p>REV 0</p>
<p>SCALE AS SHOWN</p>	<p>DATE 10/21/20</p>	<p>SHEET 1 OF 1</p>		