



Compliance with Standards:

FAA: L-807 AC 150/5345-27 (Current Edition) and
FAA Engineering Brief 67, ETL Certified ICAO:
Annex 14, Vol. 1, para. 5.1.1 (Size 2 only)

Applications:

Provides visual indication of wind direction and velocity at a location on an airfield. FAA Size 2 wind cones are used at the central location on the airfield. FAA Size 1 wind cones are used on smaller airfields and heliports.

Key Specifications:

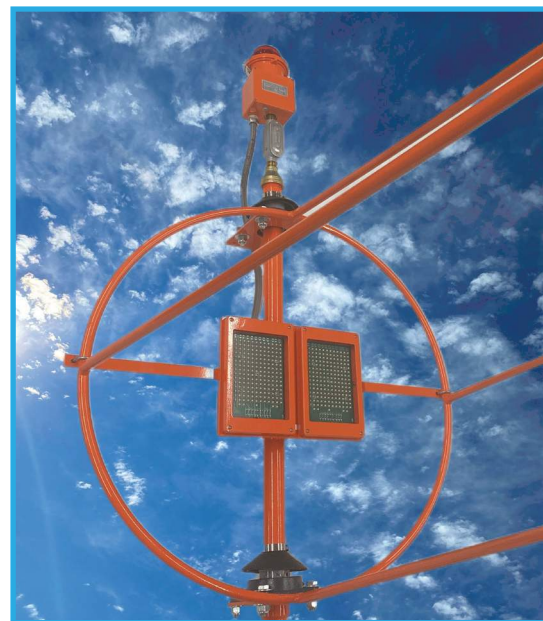
- Available externally lighted, internally lighted, or unlighted
- LED or halogen lamps
- All LED models feature:
 - √ 50,000 to 100,000 hour lamp life, virtually maintenance free. 4 year warranty.
 - √ Multiple lamp circuits, for improved reliability
 - √ 80-90% less power consumption than halogen lamps
 - √ A long-life LED obstruction light
 - √ Integral power-adapter on series-circuit models
- An incandescent L-810 obstruction light is included on halogen lighted models
- Size 1 (18" x 8' long) or Size 2 (36"x12' long) wind socks
- The pole is center-hinged, with 4" diameter steel on the bottom, and 3" diameter steel on the top
- A center-mounted braked winch allows 1-person maintenance.
- The four anchor bolts are a one-piece welded assembly, ready to drop in the ground
- The aluminum basket is welded, one piece, with pre-installed bearings
- Raincaps protect the bearings from weather
- The nylon sock is treated for rot, mildew and water repellency
- Powder coat painted international orange
- Marine Treated Option available for increased useful life in corrosive environments



External LED Light

Sales and Technical Support:

1.800.553.6269
Sales@halibrite.com



Internal LED Light

📍 Hali-Brite, Inc.
1119 Madison Street
Brainerd, MN 56401

🌐 www.halibrite.com
☎ Ph: 218.454.0956
📠 Fax: 218.454.0972

Wind Cone Selection Chart

| Catalog Number | See Notes | FAA Size | FAA Style | Power Source | Lamp Type | VA | Watts | Weight (pounds) | Replacement Lamp |
|--------------------------------|-----------|----------|--------------|--------------|--------------------|----------------|----------------|-----------------|----------------------|
| L807-S1-UN-NON-ON-N | | 1 | II Unlighted | None | None | 0 | 0 | 187 | None |
| L807-S1-EX-120-ON-5 | | 1 | I-A External | 108-132 VAC | LED | 15 | 14 | 198 | 9200-0032 |
| L807-S1-EX-230-ON-5 | 2 | 1 | I-A External | 207-253 VAC | LED | 15 | 14 | 198 | 9200-0044 |
| L807-S1-EX-66A-ON-5 | 4 | 1 | I-A External | 2.8-6.6 AMP | LED | 58 | 52 | 197 | 9200-0034 |
| L807-S1-IN-120-ON-5 | | 1 | I-B Internal | 108-132 VAC | LED | 32 | 19 | 200 | 9200-0038 |
| L807-S1-IN-230-ON-5 | 2 | 1 | I-B Internal | 198-265 VAC | LED | 40 | 21 | 200 | 9200-0045 |
| L807-S1-EX-120-ON-N | | | Discontinued | | Halogen | 191 | 191 | 196 | 3400-0122 |
| L807-S1-IN-120-ON-N | 2 | 1 | I-B Internal | 108-132 VAC | Halogen | 316 | 316 | 198 | 3400-0100Regent |
| L807-S1-EX-12-ON-5 | | 1 | I-A External | 11.5-13 VDC | LED | 6 | 6 | 197 | 9200-0033 |
| L807-S1-IN-12-ON-5 | 2 | 1 | I-B Internal | 11.5-13 VDC | LED | 6 | 6 | 197 | 9200-0041 |
| L807-S1-IN-66A-ON-5 | 4 | 1 | I-B Internal | 2.8-6.6 AMP | LED | 72 | 65 | 198 | 9200-0039 |
| L807-S2-UN-NON-ON-N | | 2 | II Unlighted | None | None | 0 | 0 | 199 | None |
| L807-S2-IN-120-ON-5 | | 2 | I-B Internal | 108-132 VAC | LED | 60 | 32 | 212 | 9200-0040 |
| L807-S2-IN-230-ON-5 | 2 | 2 | I-B Internal | 198-265 VAC | LED | 76 | 36 | 212 | 9200-0046 |
| L807-S2-EX-120-ON-5 | | 2 | I-A External | 108-132 VAC | LED | 22 | 21 | 210 | 9200-0035 |
| L807-S2-EX-230-ON-5 | 2 | 2 | I-A External | 207-253 VAC | LED | 22 | 21 | 210 | 9200-0043 |
| L807-S2-EX-66A-ON-5 | 4 | 2 | I-A External | 2.8-6.6 AMP | LED | 58 | 52 | 209 | 9200-0037 |
| L807-S2-EX-120-ON-N | | | Discontinued | | Halogen | 191 | 191 | 208 | 3400-0122 |
| L807-S2-IN-120-ON-N | 2 | 2 | I-B Internal | 108-132 VAC | Halogen | 516 | 516 | 210 | 3400-0100Regent |
| L807-S2-EX-12-ON-5 | | 2 | I-A External | 11.5-13 VDC | LED | 10 | 10 | 210 | 9200-0036 |
| L807-S2-IN-12-ON-5 | 2 | 2 | I-B Internal | 11.5-13 VDC | LED | 10 | 10 | 210 | 9200-0042 |
| L807-S2-IN-66A-ON-3 | 3 | 2 | I-B Internal | 2.8-6.6 AMP | LED | 95 | 88 | 210 | 9200-0031 |

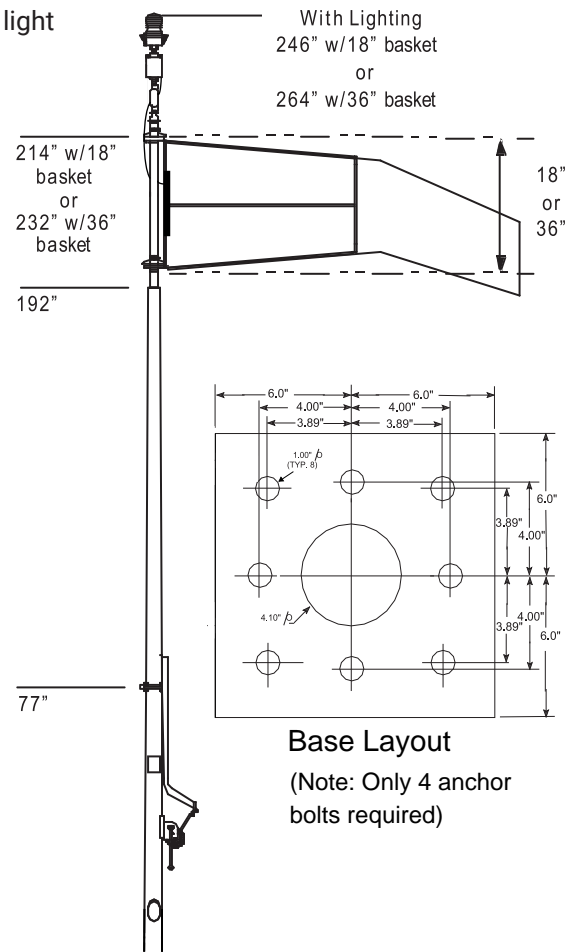
- Notes: 1. Power consumption specifications include the L-810 obstruction light
 2. This FAA Style is not ETL certified
 3. Requires 200 watt L-830 transformer, sold separately
 4. Requires 100 watt L-830 transformer, sold separately

Options/ Spare Components

| Part Number | Description |
|---------------------|--|
| 7400-0000-1 | Wind Sock, Size 1 (18 inch diameter, 8 feet long, orange) |
| 7400-0002 | Wind Sock, Size 2 (36 inch diameter, 12 feet long, orange) |
| L807-Marine Treated | "Marine Treated" (recommended for corrosive environments, typically within 100 miles of saltwater) Includes: marine treated powder coat, stainless steel winch, stainless steel aircraft cable, stainless steel hardware throughout. |



Size 1
Windsock



Sales and Technical Support:
 1.800.553.6269
 Sales@halibrite.com

Hali-Brite, Inc.
 1119 Madison Street
 Brainerd, MN 56401

www.halibrite.com
 Ph: 218.454.0956
 Fax: 218.454.0972