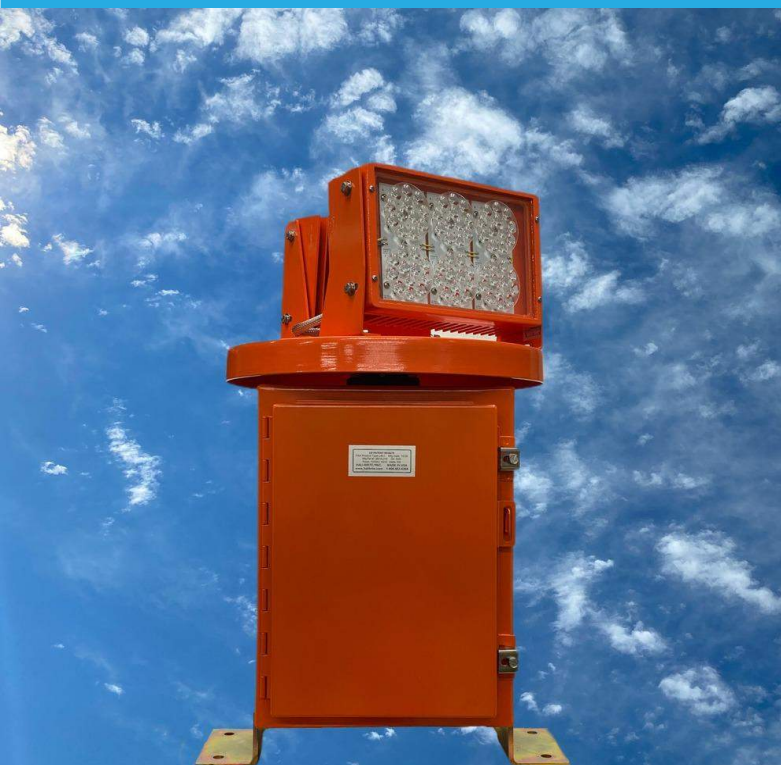




Hali-Brite® L-801A(L) LED Rotating Beacon



Applications:

L-801A Rotating Beacons are designed primarily for night operation as identification and location markers for airports.

Compliance with Standards:

FAA: L-801A(L) A/C150/5345-12F Medium Intensity Airport Beacon. ICAO: Annex 14, Volume 1



Optional Beacon Tipdown Pole

Features

- 65% power reduction over traditional metal halide lamps
- Instant on- no more waiting for bulbs to get to full bright!
- Less light pollution! Defined light beam provides less light "wash" on neighborhoods and in the sky.
- FAA: Certificate of Conformance: L-801A(L) Medium Intensity Airport Beacon (AC 150/5345-12F)
- ICAO: TVOC Aerodromes, Annex 14, Volume 1, Eighth Edition. Photometry Chapter 5, Sec. 5.3.3.6 and 5.3.3.7 Chromaticity – Appendix 1 Section 2.3.1 Green/White LED
- Patented belt-drive system eliminates the lubrication required by conventional gear-drive beacons (U.S. Pat. 5,339,224)
- 50,000 hour typical lamp life (12 years)
- One white LED lamp, one aviation green LED lamp
- All moving parts are permanently lubricated
- Lamps preset 5° above horizontal, adjustable
- 12 RPM rotation, 24 flashes/minute
- Weatherproof steel cabinet, powder coated international orange
- Optional stainless steel cabinet & bearings for highly corrosive environments
- Class I temperature range: -30 to +55°C (-22 to +131°F)
- Class II temperature range: -55 to +55°C (-67 to +131°F)
- Tested to wind velocities of 100 mph
- Optional photocell and/or tell-tale relay
- Mountable on a Hali-Brite Tipdown Pole
- Power Consumption L-801A(L):
Class I; 136W. Class II; 536W
- Manufactured in the USA

Sales and Technical Support:

1.800.553.6269

Sales@halibrite.com

📍 Hali-Brite, Inc.
1119 Madison Street
Brainerd, MN 56401

🌐 www.halibrite.com
☎ Ph: 218.454.0956
📠 Fax: 218.454.0972



Hali-Brite® L-801A(L) LED Rotating Beacon

Ordering Information

Part Number	Description
L801AL116	120 VAC, 60 Hz, Class I
L801AL125	220-240 VAC, 50 Hz, Class I
L801AL126	220-240 VAC, 60 Hz, Class I
L801AL216	120 VAC, 60 Hz, Class II
L801AL225	220-240 VAC, 50 Hz, Class II
L801AL226	220-240 VAC, 60 Hz, Class II

Note: 220-240VAC must be single wire with neutral

Options

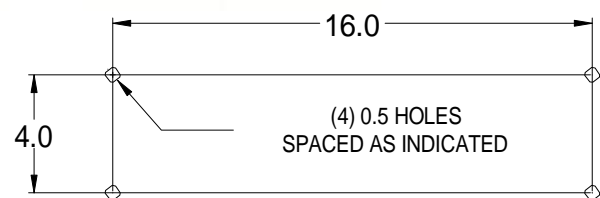
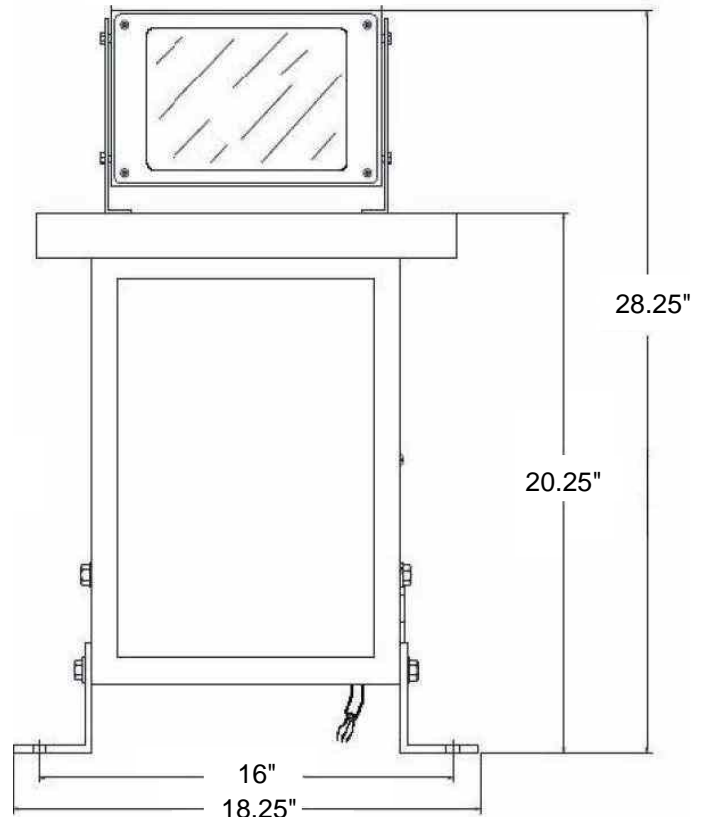
Part Number	Description
L801/802 T/T HBM 120	Tell-Tale Relay, 120 VAC
L801/802 T/T HBM 240	Tell-Tale Relay, 220-240 VAC
4200-0000	Tower Mounting Kit
L801/L802 HBM SS	Stainless Steel Option
Hali-Brite Tipdown	Hali-Brite Tipdown Pole

Replacement Parts

Part Number	Description
0100-3944	Surge Protector
0200-0031	150 W Power Supply
0200-0034	70 W Power Supply
0600-0003	Drive Belt
4100-0000-1A	Motor 120VAC
4100-0006-2	Motor 230VAC
5000-0003	Pulley, Main Shaft
5000-0004	Pulley, Motor
9100-0015	1/2 in Conduit Cover & Gasket
9200-0047	Head Assembly, White
9200-0048	Head Assembly, Green

Shipping Information

Unpackaged Weight: 75 pounds
 USA Shipping Weight: 118 pounds
 USA Shipping Volume: 48"x40"x26"
 International Shipping Weight: 118 pounds
 International Shipping Volume: 48"x40"x26"



MOUNTING BOLT PATTERN

Sales and Technical Support:

1.800.553.6269

Sales@halibrite.com

Hali-Brite, Inc.
 1119 Madison Street
 Brainerd, MN 56401

www.halibrite.com
 Ph: 218.454.0956
 Fax: 218.454.0972