



Hali-Brite® L801H(L) LED Rotating Heliport Beacon



Applications:

L-801H HeliPort Rotating Beacons are designed primarily for hospitals and helicopter landing pad location markers

Compliance with Standards:

FAA:L-801H A/C150/5345-12F (Current Edition)



Optional Beacon Tipdown Pole

Features

- FAA ETL Certified L-801H A/C150/5345-12F
- 80% Power reduction over traditional metal halide lamps
- Instant on- no more waiting for bulbs to get to full bright! Perfect for hospital heliports
- Less light pollution! Defined light beam provides less light "wash" in the sky and on neighborhoods
- FAA Certificate of Conformance: L-801H(L)- Medium Intensity Heliport Beacon (AC 150/5345-12F)
- Patented belt-drive system eliminates the lubrication required by conventional gear-drive beacons (U.S. Pat. 5,339,224)
- 50,000 hour typical lamp life (12 years)
- One white LED lamp, one aviation green LED lamp, one amber LED lamp
- All moving parts are permanently lubricated
- Lamps preset 5° above horizontal, adjustable
- 12 RPM rotation, 36 flashes/minute
- Weatherproof steel cabinet, powder coated international orange
- Optional stainless steel cabinet & bearings for highly corrosive environments
- Class I (No Heater) normal operating temperature range: 0°F to +131°F (-18°C to +55°C)
- Class 2 (With Heater) normal operating temperature range: -67°F to +131°F (-55°C to +55°C)
- Heater thermostatically controlled to engage at 0°F
- Tested to wind velocities of 100 mph
- Optional photocell and/or tell-tale relay
- Mountable on a Hali-Brite Tipdown Pole
- Power Consumption L-801H(L):
Class I; 116W, Class II; 516W
- Manufactured in the USA

Sales and Technical Support:

1.800.553.6269

Sales@halibrite.com

📍 Hali-Brite, Inc.
1119 Madison Street
Brainerd, MN 56401

🌐 www.halibrite.com
☎ Ph: 218.454.0956
📠 Fax: 218.454.0972



Hali-Brite® L801H(L) LED Rotating Heliport Beacon

Ordering Information

Part Number	Description
L801HL116	120 VAC, 60 Hz, Class I
L801HL125	*220-240v, 50hz, Class I
L801HL126	*220-240v, 60hz, Class I
L801HL216	120v, 60hz, Class II
L801HL225	*220-240v, 50hz, Class II
L801HL226	*220-240v, 60hz, Class II

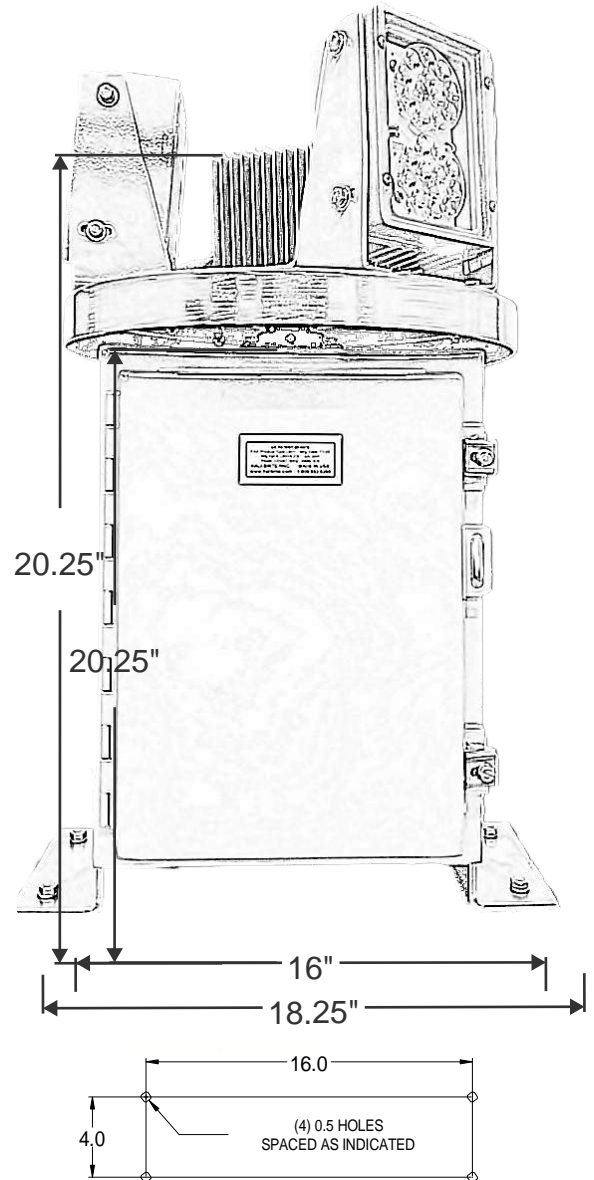
*220-240v Models are for overseas applications,
(220-240 volts LINE TO NEUTRAL)

Options

Part Number	Description
L801/802 T/T LED 120	Tell-Tale Relay 120V
L801/802 T/T LED 240	Tell-Tale Relay 240V 60Hz
L801/802 Bird Spikes	Large polycarbonate resin spikes running along each beacon head to deter birds. UV Stabilized, Clear.
L801 HBM SS	For corrosive environment installations/ installations within 100mi of seawater: stainless steel cabinet, bearings, legs and hardware throughout.
4200-0000A	Tower Mounting Kit: Creates a platform from 36" Beacon to all current model beacons
4200-0001A	Tower Mounting Kit, Stainless Steel

Replacement Parts

Part Number	Description
0100-3944	Surge Protector
0200-0030	200 W Power Supply
0200-0032	70 W Power Supply
0600-0003	Drive Belt
4100-0000-1A	Motor 120VAC
4100-0006-2	Motor 230VAC
5000-0003	Pulley, Main Shaft
5000-0004	Pulley, Motor
9100-0015	1/2 in Conduit Cover & Gasket
9200-0049	Head Assembly, White
9200-0050	Head Assembly, Green
9200-0051	Head Assembly, Amber



Shipping Information

Unpackaged Weight: 75 pounds
Shipping Weight: 125 pounds
Shipping Volume: 48"x25"x26"

Sales and Technical Support:

1.800.553.6269
Sales@halibrite.com

📍 Hali-Brite, Inc.
1119 Madison Street
Brainerd, MN 56401

🌐 www.halibrite.com
☎ Ph: 218.454.0956
📠 Fax: 218.454.0972