



**Compliance with Standards:**

FAA: L-807 AC 150/5345-27 (Current Edition) and  
FAA Engineering Brief 67, ETL Certified ICAO:  
Annex 14, Vol. 1, para. 5.1.1 (Size 2 only)

**Applications:**

Provides visual indication of wind direction and velocity at a location on an airfield. FAA Size 2 wind cones are used at the central location on the airfield. FAA Size 1 wind cones are used on smaller airfields and heliports.

**Key Specifications:**

- Available externally lighted, internally lighted, or unlighted
- LED or halogen lamps
- All LED models feature:
  - √ 50,000 to 100,000 hour lamp life, virtually maintenance free. 4 year warranty.
  - √ Multiple lamp circuits, for improved reliability
  - √ 80-90% less power consumption than halogen lamps
  - √ A long-life LED obstruction light
  - √ Integral power-adaptor on series-circuit models
- An incandescent L-810 obstruction light is included on halogen lighted models
- Size 1 (18" x 8' long) or Size 2 (36"x12' long) wind socks
- The pole is center-hinged, with 4" diameter steel on the bottom, and 3" diameter steel on the top
- A center-mounted braked winch allows 1-person maintenance.
- The four anchor bolts are a one-piece welded assembly, ready to drop in the ground
- The aluminum basket is welded, one piece, with pre-installed bearings
- Raincaps protect the bearings from weather
- The nylon sock is treated for rot, mildew and water repellency
- Powder coat painted international orange
- Marine Treated Option available for increased useful life in corrosive environments



**External LED Light**

**Sales and Technical Support:**

1.800.553.6269  
Sales@halibrite.com



**Internal LED Light**

📍 Hali-Brite, Inc.  
1119 Madison Street  
Brainerd, MN 56401

🌐 [www.halibrite.com](http://www.halibrite.com)  
☎ Ph: 218.454.0956  
📠 Fax: 218.454.0972

## Wind Cone Selection Chart

Catalog Number	See Notes	FAA Size	FAA Style	Power Source	Lamp Type	VA	Watts	Weight (pounds)	Replacement Lamp
L807-S1-UN-NON-ON-N		1	II Unlighted	None	None	0	0	187	None
L807-S1-EX-120-ON-5		1	I-A External	108-132 VAC	LED	15	14	198	9200-0032
L807-S1-EX-230-ON-5	2	1	I-A External	207-253 VAC	LED	15	14	198	9200-0044
L807-S1-EX-66A-ON-5	4	1	I-A External	2.8-6.6 AMP	LED	58	52	197	9200-0034
L807-S1-IN-120-ON-5		1	I-B Internal	108-132 VAC	LED	32	19	200	9200-0038
L807-S1-IN-230-ON-5	2	1	I-B Internal	198-265 VAC	LED	40	21	200	9200-0045
L807-S1-EX-120-ON-N	Discontinued				Halogen	Discontinued		3400-0122	
L807-S1-IN-120-ON-N	2	1	I-B Internal	108-132 VAC	Halogen	316	316	198	3400-0100Regent
L807-S1-EX-12-ON-5		1	I-A External	11.5-13 VDC	LED	6	6	197	9200-0033
L807-S1-IN-12-ON-5	2	1	I-B Internal	11.5-13 VDC	LED	6	6	197	9200-0041
L807-S1-IN-66A-ON-5	4	1	I-B Internal	2.8-6.6 AMP	LED	72	65	198	9200-0039
L807-S2-UN-NON-ON-N		2	II Unlighted	None	None	0	0	199	None
L807-S2-IN-120-ON-5		2	I-B Internal	108-132 VAC	LED	60	32	212	9200-0040
L807-S2-IN-230-ON-5	2	2	I-B Internal	198-265 VAC	LED	76	36	212	9200-0046
L807-S2-EX-120-ON-5		2	I-A External	108-132 VAC	LED	22	21	210	9200-0035
L807-S2-EX-230-ON-5	2	2	I-A External	207-253 VAC	LED	22	21	210	9200-0043
L807-S2-EX-66A-ON-5	4	2	I-A External	2.8-6.6 AMP	LED	58	52	209	9200-0037
L807-S2-EX-120-ON-N	Discontinued				Halogen	Discontinued		3400-0122	
L807-S2-IN-120-ON-N	2	2	I-B Internal	108-132 VAC	Halogen	516	516	210	3400-0100Regent
L807-S2-EX-12-ON-5		2	I-A External	11.5-13 VDC	LED	10	10	210	9200-0036
L807-S2-IN-12-ON-5	2	2	I-B Internal	11.5-13 VDC	LED	10	10	210	9200-0042
L807-S2-IN-66A-ON-3	3	2	I-B Internal	2.8-6.6 AMP	LED	95	88	210	9200-0031

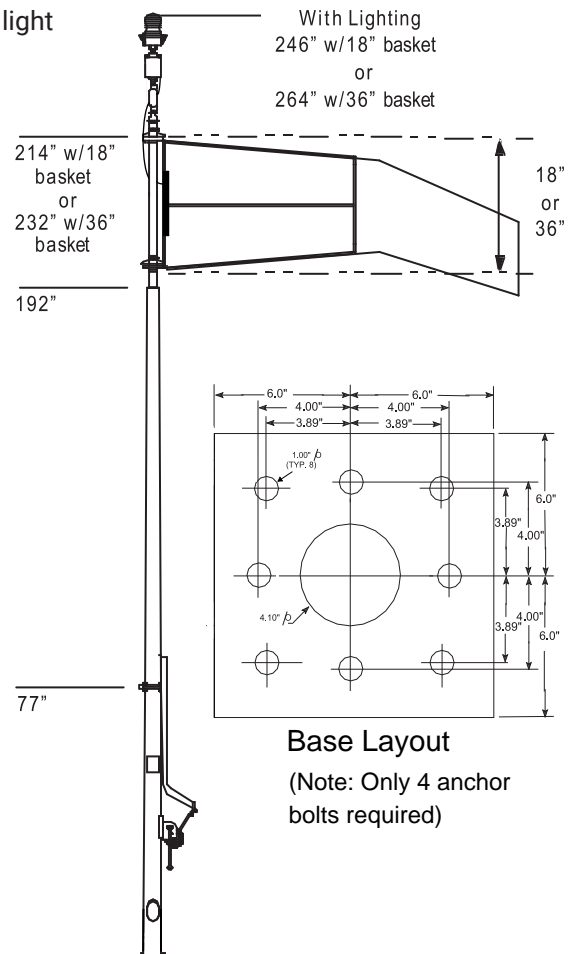
- Notes: 1. Power consumption specifications include the L-810 obstruction light  
 2. This FAA Style is not ETL certified  
 3. Requires 200 watt L-830 transformer, sold separately  
 4. Requires 100 watt L-830 transformer, sold separately

### Options/ Spare Components


Part Number	Description
7400-0000-1	Wind Sock, Size 1 (18 inch diameter, 8 feet long, orange)
7400-0002	Wind Sock, Size 2 (36 inch diameter, 12 feet long, orange)
L807-Marine Treated	"Marine Treated" (recommended for corrosive environments, typically within 100 miles of saltwater) Includes: marine treated powder coat, stainless steel winch, stainless steel aircraft cable, stainless steel hardware throughout.






Size 1  
Windsock



**Sales and Technical Support:**  
 1.800.553.6269  
 Sales@halibrite.com

 Hali-Brite, Inc.  
 1119 Madison Street  
 Brainerd, MN 56401

 www.halibrite.com  
 Ph: 218.454.0956  
 Fax: 218.454.0972