



Hali-Brite® SPS Solar Power Supply



Applications:

The Solar Power Supply (SPS) is a self-contained photovoltaic power source for the Hali-Brite® L-806 and L-807 Wind Cones.


Features:




- Eliminates expensive underground trenching and wire installations for Windcones
- Easy installation: pre-set solar angle, pre-assembled anchor for easy mounting.
- Fully sunlight powered- zero energy cost operation
- 10 day nominal battery autonomy
- Long Life premium AGM solar batteries (5-10 years expectancy)
- 100 to 300 A-H AGM battery, designed for 4000 charge/ discharge cycles
- 100 or 200 watt solar panel, with 12-year/90% and 25-year/80% power warranty
- Custom designed for the installation site, using 30-year worst case insolation and temperature extremes
- Insulated battery compartment to preserve battery life
- MPPT charge controller, with custom-programmed temperature compensation
- On-board indicators for battery, charging and system status
- Dual-post mount, with frangible couplings, designed to withstand ASCE Exposure C wind loads
- Temperature range: -45 to +55 °C (-49 to +131 °F)
- Marine treat option available for corrosive environments (upgrades enclosure to aluminum, stainless hardware throughout, marine treated powder coat)
- Manufactured in the USA

Sales and Technical Support:

1.800.553.6269

Sales@halibrite.com

 Hali-Brite, Inc.
1119 Madison Street
Brainerd, MN 56401

 www.halibrite.com
 Ph: 218.454.0956
 Fax: 218.454.0972



Hali-Brite® SPS Solar Power Supply

Installation Information

The SPS is attached to a 4-bolt anchor assembly (included), mounted in a concrete slab. Power is supplied to the wind cone by a cable in liquid-tight conduit through one of the SPS mounting legs.

Ordering Information

Product	Description
SPS-100-2-12	100Watt Panel, 2 Batteries, 12" Legs
SPS-100-2-30	100Watt Panel, 2 Batteries, 30" Legs
SPS-200-2-12	200Watt Panel, 2 Batteries, 12" Legs
SPS-200-2-30	200Watt Panel, 2 Batteries, 30" Legs
SPS MARINE	Marine Treated option for installations within 100mile of the sea. Aluminum enclosure, marine treat powder coat, stainless steel hardware throughout.

NOTE: Each Hali-Brite® SPS is custom configured for the proper solar panel, battery, temperature compensation and height for the installation location. Please contact Hali-Brite to configure the correct model for your location.

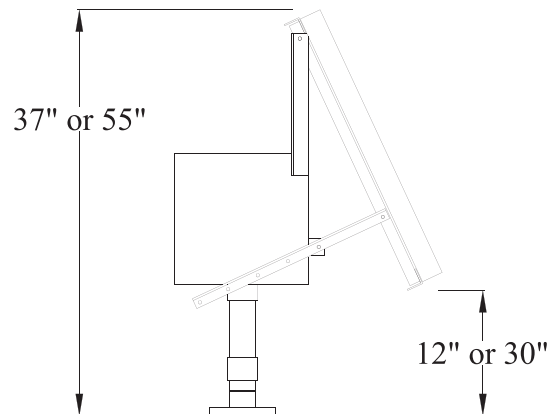
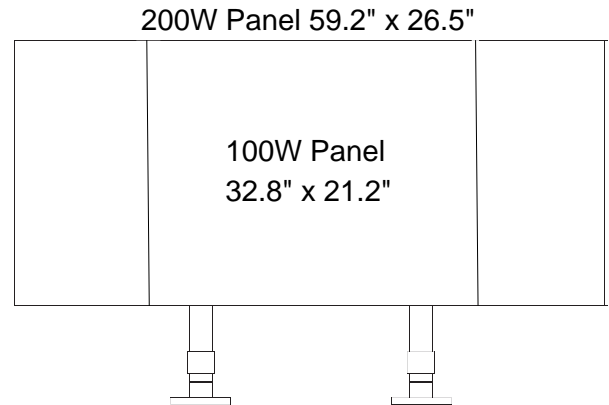
Replacement Parts

Part Number	Description
7800-0004	Solar Panel, 100 watt
7800-0005	Solar Panel, 200 watt
1300-0081	Battery, PVX-840T
4500-0020	Charge Controller
7800-0006	Photocell
1800-0036	Frangible Coupling
2300-0024	Fuse, 10A 32V

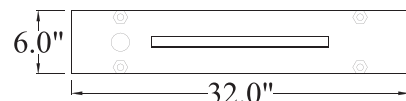
Shipping Information

Unpackaged Weight: 186-268 pounds
 Shipping Weight : 266-388 pounds
 Intl Ship Weight: : 466-588 pounds
 Shipping Volume : 60"L x 40"W x 44"H
 Note: Can be shipped with Windcone in same crate, inquire for details

Sales and Technical Support:
 1.800.553.6269
 Sales@halibrite.com



Anchor Assembly Top View



Hali-Brite, Inc.
 1119 Madison Street
 Brainerd, MN 56401

www.halibrite.com
 Ph: 218.454.0956
 Fax: 218.454.0972