

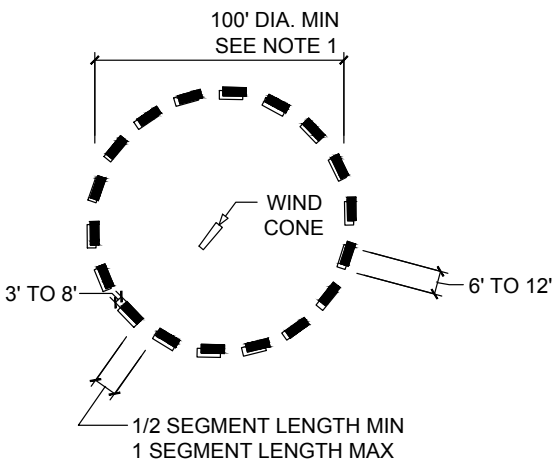


Hali-Brite® Segmented Circle HB-5340

FAA Compliant, Made in America. Pre-assembled segments for easy installation

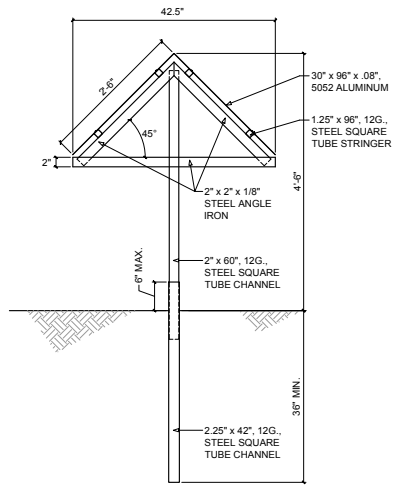
Features

- FAA Compliant, AIP Qualified
- Pre-assembled panels for easy, 8-bolt Installation
- Collapsible panels- ships on 4 pallets
- Custom design for your submittal
- Available in 8', 10' or 12' segments
- Long lasting, aluminum powder coated panels
- Compliant to FAA AC Circular 150/5340-5D

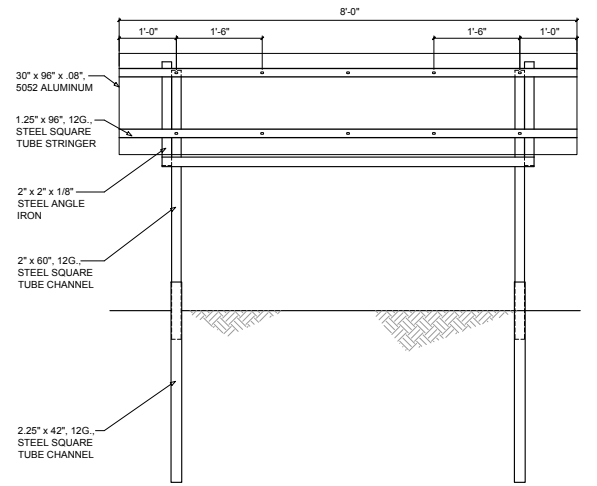


FAA Compliant to AC 150/5340-5D SEGMENTED CIRCLE AIRPORT MARKER SYSTEM

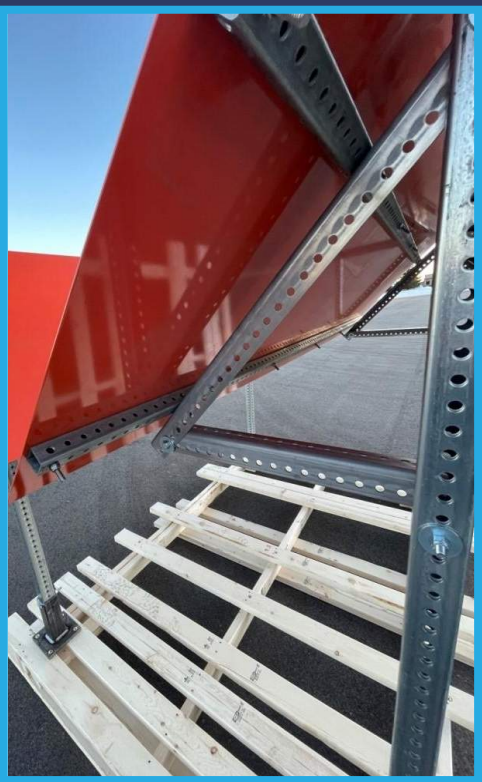
3 SEGMENTED CIRCLE MARKER AND WIND DIRECTION INDICATOR



1 HB-5340 SEGMENTED CIRCLE SIDE VIEW



2 HB-5340 SEGMENTED CIRCLE FRONT VIEW



Sales and Technical Support:
1.800.553.6269
Sales@halibrite.com

Hali-Brite, Inc.
1119 Madison Street
Brainerd, MN 56401

www.halibrite.com
Ph: 218.454.0956
Fax: 218.454.0972