



Hali-Brite® Tell Tale Relay Option for Rotating Beacons

Product Description

The Tell-Tale Relay Module is specially designed to monitor the operation of the LED lamps used in an air navigation rotating beacon. Typically there are several lamps operating simultaneously in the beacon, and if one or more should fail, it is possible for a pilot to be confused and/or disoriented. The relay module provides those charged with maintaining the beacon with a means to monitor lamp operation from a remote location without having to visually observe the beacon unit.

Product Operation

The Module contains a normally-closed relay, and the contacts of this relay can be accessed on the terminal block located inside the beacon housing door. The remote monitoring device is connected to this terminal block. The relay contacts are rated at 10 amperes, up to 240 volts AC, for a resistive load. The Module monitors the current flowing through the beacon lamps. As long as the proper amount of current is flowing through all of the lamps, the relay contacts are open. If one or more of the lamps is not drawing the proper current, the relay contacts will close, indicating a failure.

The relay contacts will close, indicating lamp failure, under any of the following conditions:

1. One or more of the lamps fails to light.
2. The beacon is not receiving power.

Ordering Information

L801/802 T/T HBM 120:

(120volt 60hz non-led model)

L801/802 T/T HBM 240:

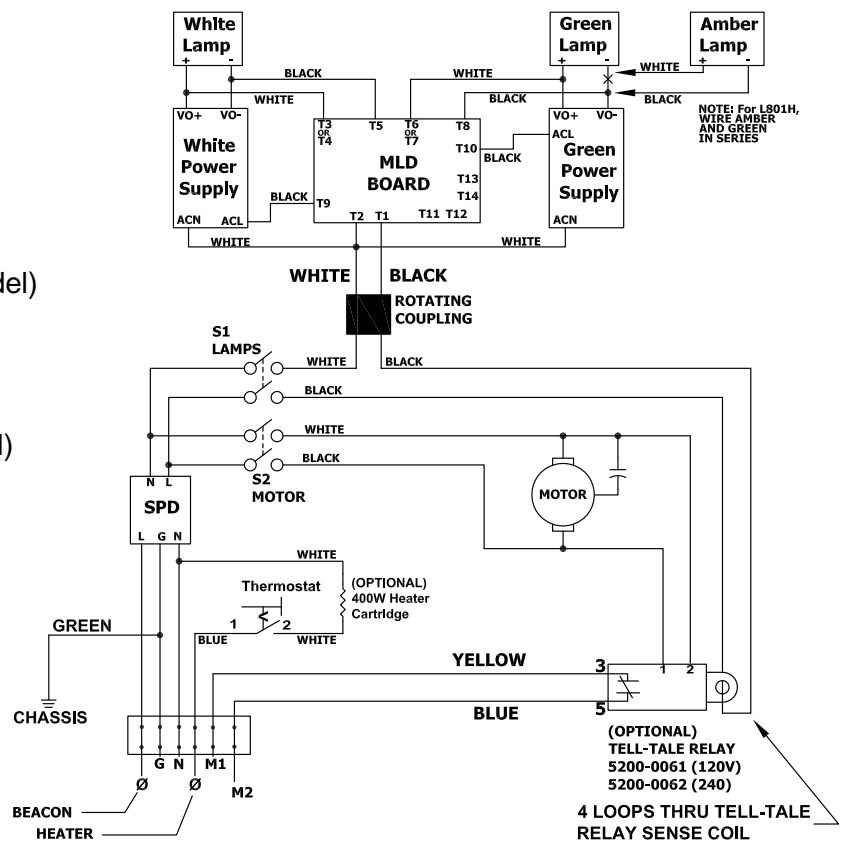
(230-250volt 60HZ overseas non-led model)

L801/802 T/T LED 120:

(120volt 60hz led model)

L801/802 T/T LED 240:

(230-250volt 50-60HZ overseas led model)



Sales and Technical Support:

1.800.553.6269
Sales@halibrite.com

Hali-Brite, Inc.
1119 Madison Street
Brainerd, MN 56401

www.halibrite.com
Ph: 218.454.0956
Fax: 218.454.0972