



FAA Certified and Compliant Windcone/
Wind Direction indicator for
• VERTIPOINT • HELIPOINT • AIRPORT

Applications:
Provides visual indication of wind direction and velocity for pilots at Vertipoints, Heliports, smaller airfields and as supplemental wind indicators near runway touchdown areas on large airfields.

FAA certified by ETL FAA:L-806 AC 150/5345-27 and FAA Engineering Brief 67

Key Specifications:

- Perfect for Vertipoints, Heliports or Airports (supplemental windcone)
- Mounting options include: Roof, Wall, Floor Flange, 2"NPT Conduit or base can,
- FAA Certified by ETL
- 50,000 to 100,000 hour lamp life, virtually maintenance free. 4 year warranty
- NVG visibility
- Solar power option available- FAA certified. no more long underground wire installations!
- Marine Treated Option (recommended for installations within 100miles of saltwater) available for increased useful life in corrosive environment
- 80-90%less power consumption than halogen lamps
- Integral power adapter on series-circuit models
- Size 1 (18" diameter x 8' long) wind sock (berry compliant)treated for rot, mildew, and water repellent
- One piece welded aluminum basket with pre-installed bearings
- May be mounted directly to an L-867 light base, 2 inch NPT baseplate (sold separately)
- Powder coat painted international orange



External LED Light



Internal LED Light



Size 1 Windsack, 1 Included



Frangible Coupling, 1 Included

Sales and Technical Support:
1.800.553.6269
Sales@halibrite.com

📍 Hali-Brite, Inc.
1119 Madison Street
Brainerd, MN 56401

🌐 www.halibrite.com
☎ Ph: 218.454.0956
📠 Fax: 218.454.0972

Wind Cone Selection Chart

Catalog Number	See Notes	FAA Size	FAA Style	Power Source	Fixture Watts	Replacement Lamp
L806-S1-UN-NON-ON-N		1	II Unlighted	none	0	None
L806-S1-EX-120-ON-5		1	I-A External	108-132 VAC	14	9200-0032
L806-S1-EX-230-ON-5		1	I-A External	207-253 VAC	14	9200-0044
L806-S1-EX-66A-ON-5	3	1	I-A External	2.8-6.6 AMP	52	9200-0034
L806-S1-IN-120-ON-5		1	I-B Internal	108-132 VAC	19	9200-0038
L806-S1-IN-230-ON-5		1	I-B Internal	198-265 VAC	21	9200-0045
L806-S1-EX-120-ON-N	Replaced by L806-S1-EX-120-ON-5 (LED Model)					3400-0122
L806-S1-IN-120-ON-N		1	I-B Internal	108-132 VAC	316	3400-0100Regent
L806-S1-EX-12-ON-5	2	1	I-A External	11.5-13 VDC	6	9200 0033
L806-S1-IN-12-ON-5	2	1	I-B Internal	11.5-13 VDC	6	9200-0041
L806-S1-IN-66A-ON-5	3	1	I-B Internal	2.8-6.6 AMP	65	9200 0039

Shipping Information

Unpackaged Weight: 45-60Lbs

Non-Hinged Palletized Volume:

96"x48"x32" 180Lbs

Fully Crated Option 300Lbs

Hinged Option Palletized Volume:

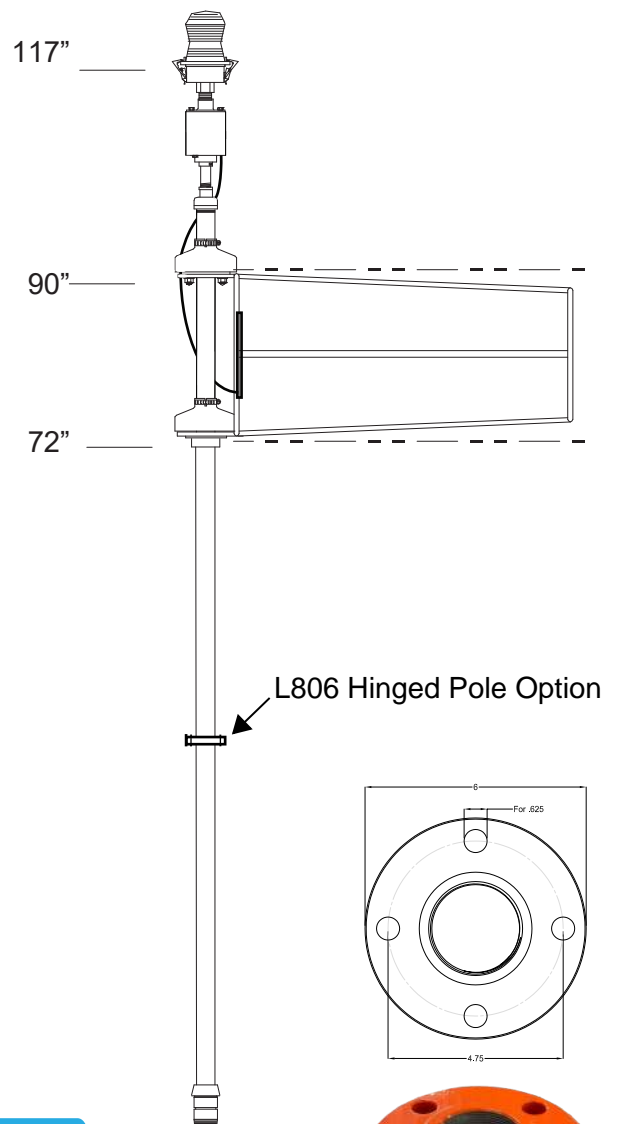
48"x48"x32" 120Lbs

Fully Crated Option 200Lbs

1. All Models FAA certified
2. Powered By Hali-Brite® Solar Power Supply OR LED Driver
3. Requires 100watt L-830 transformer, sold separately

Options/ Spare Components

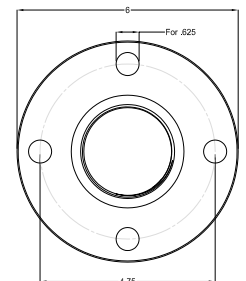
Part Number	Description
L806-Marine Treated	"Marine Treated" (recommended for corrosive environments, typically within 100 miles of saltwater) Includes: marine treated powder coat, stainless steel bearings/hardware throughout.
L806-Hinged Pole	L806 Hinged Pole Option (Hinges in center of pole)
L806-Pole Alum	Aluminum Pole Option
L806-Roof Mount	Roof Mount Kit Option
L806-Wall Mount	Wall Mount Kit Option
1067-0002	Floor Flange Mount Option
7400-0000-1	FAA Size1 Wind Sock, 18 inch diameter, Berry Compliant 8' Orange or Red/White
1800-0025	Frangible Coupling (one included with every L806)
SPS-50-2-12	Solar Power Supply for 12V models
See selection chart	Replacement Lamp



Optional Solar Power Supply



Optional Wall Mount



Optional Floor Flange Mount