



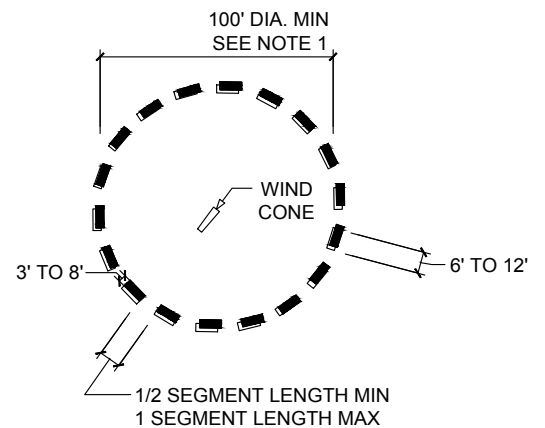
Hali-Brite® Segmented Circle HB-5340

FAA Compliant, Made in America.
Pre-assembled segments for easy installation

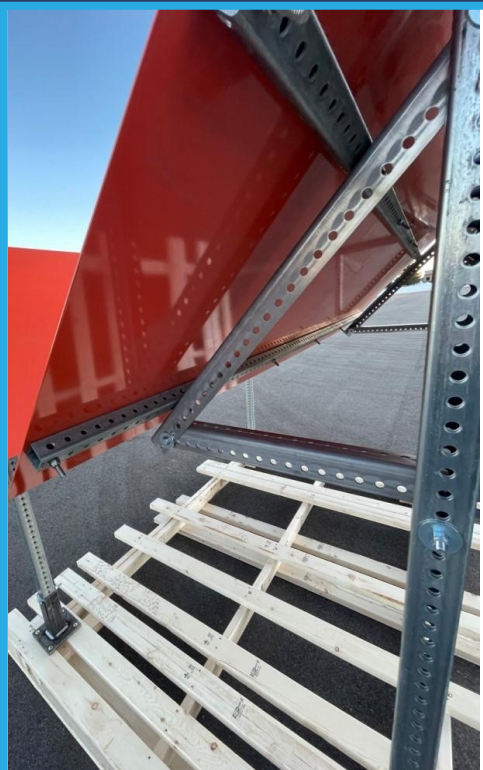


Features

- FAA Compliant, Buy American Qualified
- Pre-assembled panels for easy, 8-bolt Installation
- Collapsible panels- ships on 4 pallets
- Custom design for your submittal
- Available in 8', 10' or 12' segments
- Long lasting, aluminum powder coated panels
- Compliant to FAA AC Circular 150/5340-5D

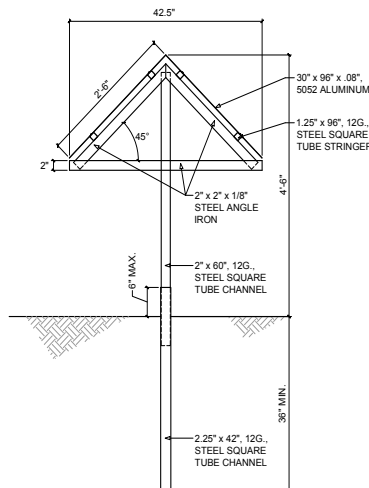


FAA Compliant to AC 150/5340-5D
SEGMENTED CIRCLE AIRPORT MARKER SYSTEM

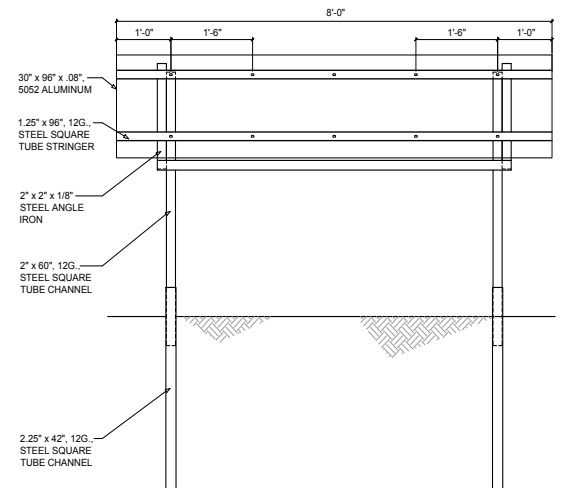


3 SEGMENTED CIRCLE MARKER AND WIND DIRECTION INDICATOR

1" = 1'-0"



1 HB-5340 SEGMENTED CIRCLE SIDE VIEW



2 HB-5340 SEGMENTED CIRCLE FRONT VIEW

Sales and Technical Support:
 1.800.553.6269
 Sales@halibrite.com

Hali-Brite, Inc.
 1119 Madison Street
 Brainerd, MN 56401

www.halibrite.com
 Ph: 218.454.0956
 Fax: 218.454.0972