



Hali-Brite® L-802A(L) LED Rotating Beacon

Less light pollution. LED light beam provides less light "wash" in the sky, and on the ground



Applications:

L-802A Rotating Beacons are designed primarily for night operation as identification and location markers for airports.

Compliance with Standards: (ETL CERTIFIED)

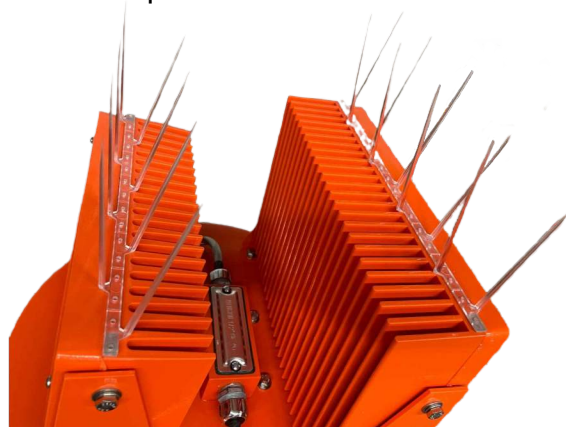
FAA: L-802A(L) A/C150/5345-12F High Intensity Airport Beacon. ICAO: Annex 14, Volume 1

Features

- FAA ETL Certified, AIP Qualified
- 75% Power reduction over traditional metal halide lamps
- Instant on- no more waiting for bulbs to get to full bright!
- FAA Certificate of Conformance: L-802A(L)- High Intensity Airport Beacon (AC 150/5345-12F)
- ICAO: Aerodromes, Annex 14, Volume 1, Eighth Edition. Photometry – Chapter 5, Sec. 5.3.3.6 and 5.3.3.7
- Chromaticity – Appendix 1 Section 2.3.1
- One white LED lamp, One aviation green LED lamp
- 50,000 hour typical lamp life (12 years)
- Patented belt-drive system eliminates the lubrication required by conventional gear-drive beacons (U.S. Pat. 5,339,224)
- 50,000 hour typical lamp life
- Lamps preset 5° above horizontal, adjustable
- Optional stainless steel cabinet & bearings for corrosive environments
- Class I (No Heater) normal operating temperature range: 0°F to +131°F (-18°C to +55°C)
- Class 2 (With Heater) normal operating temperature range: -67°F to +131°F (-55°C to +55°C)
- Heater thermostatically controlled to engage at 0°F
- Optional tell-tale relay (monitors lamps and triggers dry contact on outage)
- Power Consumption L802A(L):
Class I; 216W Class II; 616W
- Manufactured in the USA
- AIP Buy American qualified



Optional Beacon Tipdown Pole



Optional Bird Spikes



Hali-Brite® L-802A(L) LED Rotating Beacon

Ordering Information

Part Number	Description
L802AL116	120 VAC, 60 Hz, Class I
L802AL125	220-240 VAC, 50 Hz, Class I
L802AL126	220-240 VAC, 60 Hz, Class I
L802AL216	120 VAC, 60 Hz, Class II
L802AL225	220-240 VAC, 50 Hz, Class II
L802AL226	220-240 VAC, 60 Hz, Class II

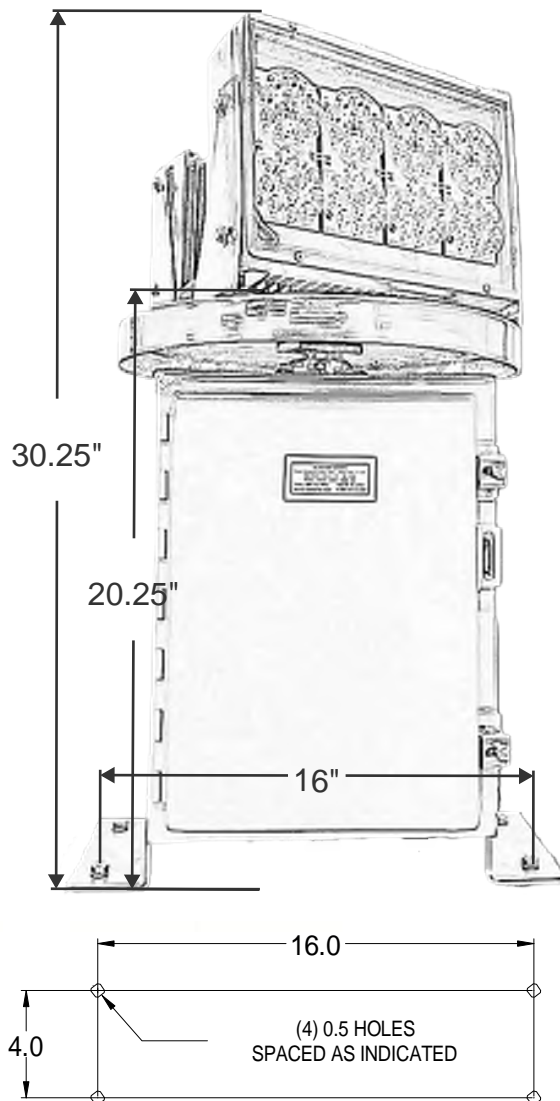
Note: 220-240VAC must be single wire with neutral

Options

Part Number	Description
L801/802 T/T HBM 120	Tell-Tale Relay, 120 VAC
L801/802 T/T HBM 240	Tell-Tale Relay, 220-240 VAC
L801/802 Bird Spikes	Large polycarbonate resin bird spikes running along each beacon head
L802 HBM SS	For corrosive environment installation within 100mi of saltwater. stainless steel cabinet, bearings, legs and hardware throughout
4200-0000A	Tower Mounting Kit-creates a platform from 36" beacon to LED model
Hali-Brite Tipdown	Hali-Brite Tipdown Pole
L802 Rapid Response	L802 rapid response repair kit: tools and parts for all common repairs, see Rapid Response cut sheet for details

Replacement Parts

Part Number	Description
0100-3944	Surge Protector
0200-0033	200 W Power Supply
0200-0030	70 W Power Supply
0600-0003	Drive Belt
4100-0000-1A	Motor 120VAC
4100-0006-2	Motor 230VAC
2500-0000-1	Motor Gearhead
5000-0003	Pulley, Main Shaft
5000-0004	Pulley, Motor
9200-0052	Head Assembly, White
9200-0054	Head Assembly, Green



MOUNTING BOLT PATTERN

Shipping Information

Unpackaged Weight: 75 pounds
Shipping Weight: 125 pounds
Shipping Volume: 48"x40"x25"

Sales and Technical Support:

1.800.553.6269

Sales@halibrite.com

📍 Hali-Brite, Inc.
1119 Madison Street
Brainerd, MN 56401

🌐 www.halibrite.com
☎ Ph: 218.454.0956
📠 Fax: 218.454.0972